



# Mendelson – S.Bar Ltd.

E-Mail: info@mlsbar.com Web Site: www.mlsbar.co.il



## Specification for Hose Reel standard SI2206 (EN-694)

### General:

This specification sets out the requirements for installation and maintenance of fire fighting hose reel, which conform to Israel standard 2206 part 1 .(Equal to standard EN 694).

### Materials:

**Hose:** 30 meters, EPDM acc to standard EN694. ID of hose 19mm

**Drum:** steel plate anti corrosion, paint RAL 3000. OD 460MM.

**Nozzle:** plastic nozzle 9mm

**Working pressure:** 12 bars.

**Test pressure:** 18 bars.

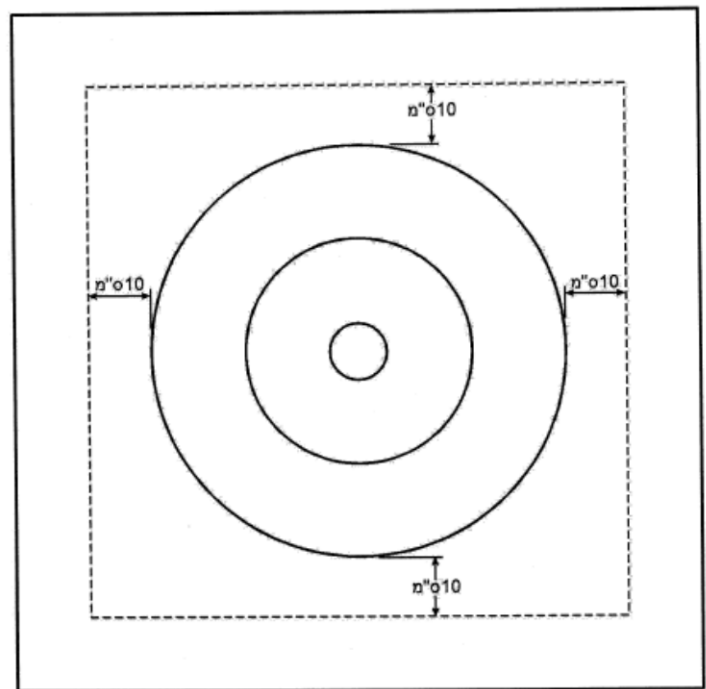
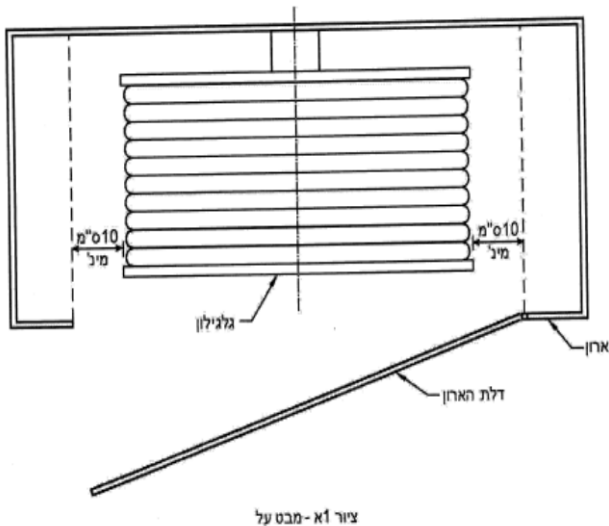
**Flow rate:** 31 liter per minute.



### Installation:

The hose reel installed around the tap water supply will be an interval of at least 10 cm, for convenient operation of the valve by the handle.

The drum is installed in a way that a margin of at least 10 cm in the vertical plane between the plates Drum any disturbing factor depending painting 1



ציור אב - מבט חזית